



Renting an industrial furnace!

The Airtec industrial furnace

We are a manufacturer of industrial furnaces for a wide range of industrial requirements. Our furnaces set standards in terms of energy efficiency, flexibility and reliability. The thermal process of an industrial furnace lays the foundation for the optimal heat treatment and quality of your product.

Convince yourself of the service of our furnace systems and send us your individual request for a rental furnace to: info@airtec-gmbh.de



Technical data: ANT 620-ek tempering furnace

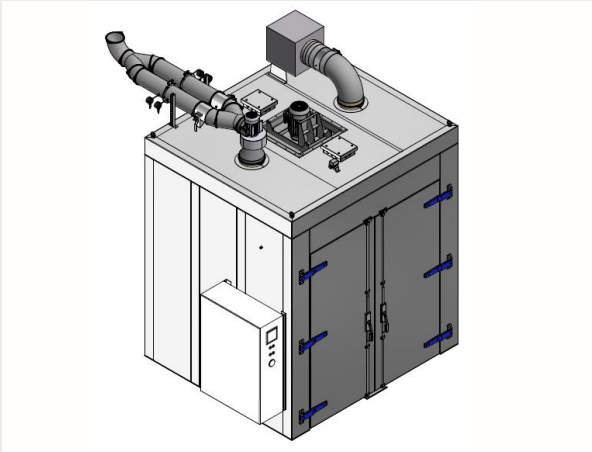
- Effective dimensions: 2,000 x 1,700 x 2,050 mm (WxDxH)
- Transport dimensions: 3,700 x 2,200 x 2,400 mm (WxDxH)
- Max. drying temperature: 250 °C
- Heat output: 48 kW
- Voltage: 400 V – 50 Hz
- Weight: 2,500 kg

Price scale ANT 620-ek

Month 1 - 3	monthly rate 2.290,00€
Month 4 - 6	monthly rate 2.490,00€
Month 7 -	monthly rate 2.890,00€

exclude. Transport costs*

Renting an industrial furnace!



Technical data: AHT 890-ek tempering furnace

- Effective dimensions: 2,100 x 2,050 x 2,500 (WxDxH)
- Transport dimensions: 2,600 x 3,350 x 3,640 mm (WxDxH)
- Max. drying temperature: 200 °C
- Heat output: 48 kW
- Voltage: 400 V – 50 Hz
- Weight: 3,500 kg

Price scale AHT 890-ek

Month 1 - 3 monthly rate 2.590,00€

Month 4 - 6 monthly rate 2.890,00€

Month 7 - monthly rate 3.490,00€

exclude. Transport costs*

Advantages of the rental industrial furnace

Our rental furnace can perform applications such as the heating, drying, hardening, tempering and annealing of your products. The furnace can be delivered to you in a ready-to-plug-in version and is immediately ready for use.

The rental furnace meets the following standards DIN EN 1539 / AMS 2750 / CQI-9

In many cases it makes sense to rent an industrial furnace:

- In case of failure of an existing furnace
- For test drying in research and development departments
- To bridge a gap until a new system is manufactured
- To test the furnace with a subsequent purchase option on the rental unit

You have the option to take over our rental furnace after the rental phase. We would be pleased to provide you with a suitable offer for your request.

* Transport costs are requested according to the place of delivery.